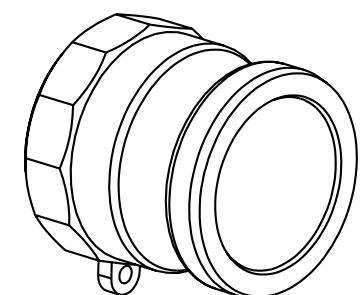
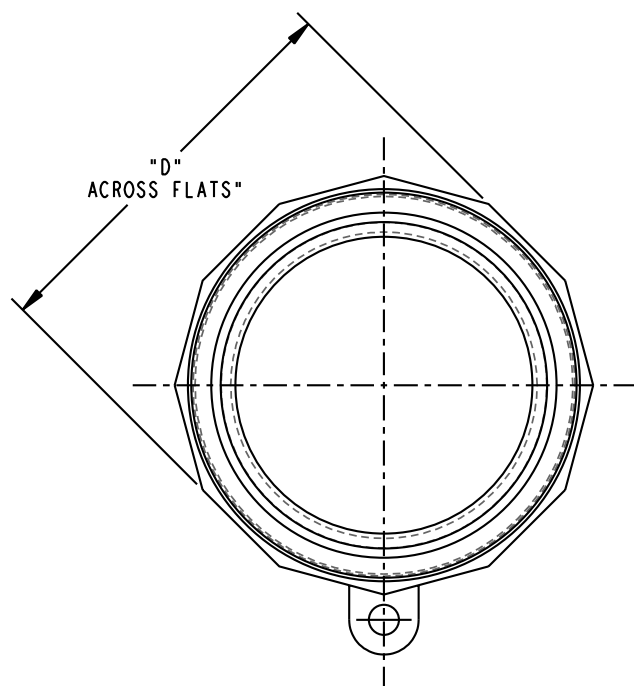
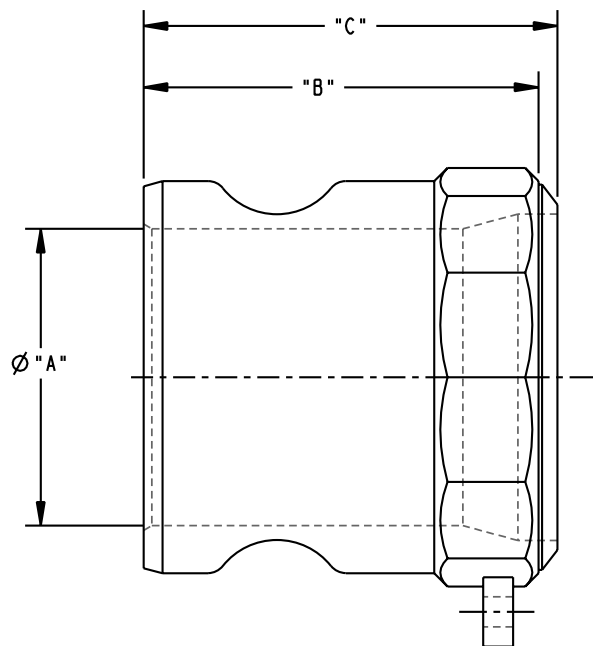


THIS DRAWING IS NOT TO BE SCALED. FOR ADDITIONAL INFORMATION. PLEASE CONTACT OUR ENGINEERING DEPT.

REVISIONS					
LTR	ECN #	DESCRIPTION	DRAWN	APPROVED	DATE
A	-		JPR	NAC	05-22-03



4" 633FW	3.84	3.19	3.50	5.03
3" 633FW	2.88	2.78	2.97	4.00
2-1/2" 633FW	2.19	2.75	2.88	3.19
2" 633FW	1.88	2.50	2.62	2.56
1-1/2" 633FW	1.44	2.12	2.19	2.19
1-1/4" 633FW	1.12	2.12	2.25	1.88
1" 633FW	0.94	1.91	2.03	1.50
3/4" 633FW	0.78	1.50	1.62	1.31
1/2" 633FW	0.56	1.50	1.62	1.31
ADAPTOR SIZE	"A"	"B"	"C"	"D"

CONFIDENTIAL THIS DOCUMENT CONTAINS INFORMATION WHICH IS PROPRIETARY TO OPW, AND SHOULD BE PROTECTED ACCORDINGLY.

DESCRIPTION: SST KAMLOK ADAPTOR - BUTT WELD

UNLESS OTHERWISE SPECIFIED
 TOLERANCES ON DIMENSIONS
 3 DECIMALS +/- 0.005
 2 DECIMALS +/- 0.015
 1 DECIMAL +/- 0.030
 ANGLES +/- 1/2 DEG
 MACHINED SURFACES 125 RMS MAX

SIGNATURES		MO-DA-YR	REV:
DRAWN:	JPR	06-11-01	A
CHECKED:	NAC	06-18-01	SIZE: C
MATERIAL:	316 SST	WEIGHT:	

PART NUMBER:
633FW
 SCALE: NONE SHEET 1 OF 1

OPW Engineered Systems
 A DOVER Resources Company
 Lebanon, Ohio 45036 USA
 3D GENERATED DRAWING