

LYNX Series Bottom-Loading Coupler

The LYNX Series combines all of the best features of API couplers in one device to provide a superior and effortless bottom loading experience. Featuring stainless-steel components and coming in at 19 lbs. (8.6kg), the LYNX Series coupler is impressive by any measure.

From the moment you use LYNX, you will experience the extraordinary attention to detail and superior quality that enables LYNX to provide outstanding performance, advanced safety, ease of service and long life.

Key Features

- 5-Year Warranty
- Fast in-field replacement of the main seals, on or off the arm
- Quick and easy disassembly of entire coupler through U-pin design
- Automatic latching
- U-pin is secured when the TTMA flange is fastened to prevent the pin from coming out during service
- A variety of seals available to suit a range of applications
- Two operating handle sizes to suit customer preference
- Four "true-interlocking" stainless-steel latches ensure secure coupling and maximum safety
- High-quality components including a stainless-steel collar and hard anodized Aluminum body for increased service durability and life
- Nominal product leakage during disconnect increases site safety
- Low risk of leakage because of a proven seal design
- Ergonomic operating handle and carry loop results in less physical strain on users

Ordering Information

LYNX 852 VG

Handle

0 = Short Handle (150mm)
2 = Long Handle (200mm)

Seal

VG = Fluorocarbon
B = Nitrile (Buna)
F = Fluorosilicone
ULT = Ultra Low-Temp (FKM)

Example: LYNX 852 VG = Long Handle with Fluorocarbon Seal

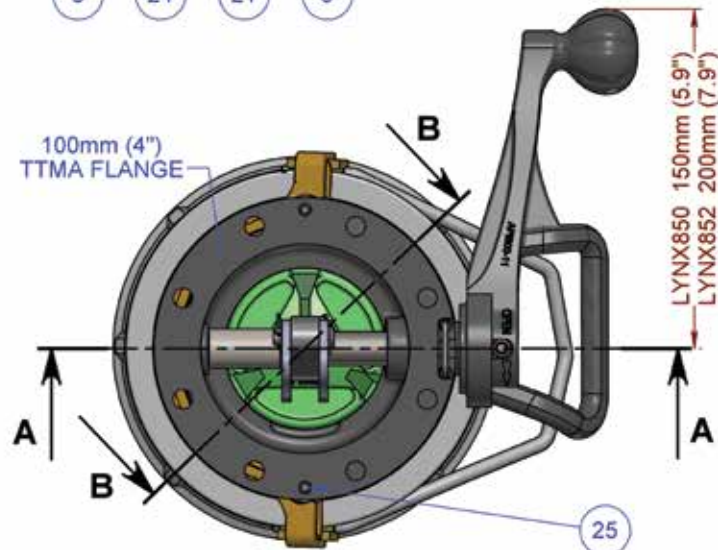
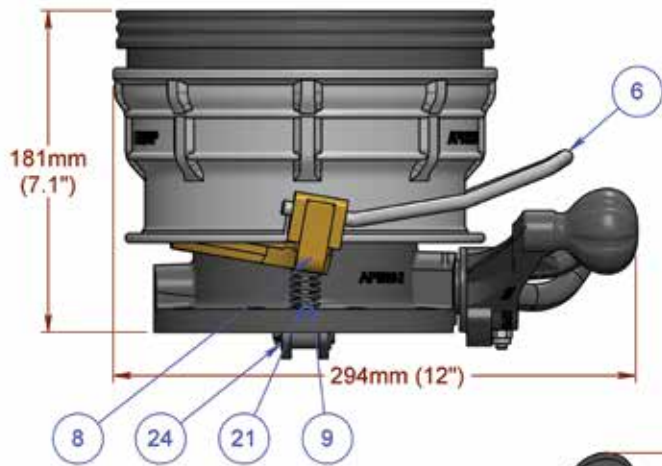
Custom Options: Chemical Trim (LYNX 852 C)



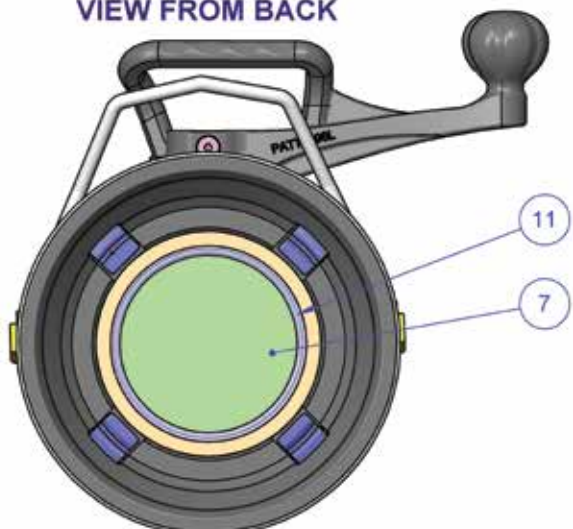
Specifications

Part	Description
Handle Length	Short 5.9" (150mm) or Long 7.8" (200mm)
Seals	Fluorocarbon, Nitrile/Buna, Fluorosilicone, FFKM
Max Working Pressure	80 psi (5.5 bar) (550 kPa)
Product Test Pressure	119 psi (8.2 bar) (820 kPa)
Design Pressure	363 psi (25 bar) (2500 kPa)
Max Surge Pressure	493 psi (34 bar) (3400 kPa)
Operating Temperature	Fluorocarbon: -20°F to +200°F (-28°C to +90°C); Nitrile/Buna: -40°F to 212°F (-40°C to 100°C); Fluorosilicone: -49°F to 350°F (-45°C to 177°C); FFKM: 23°F to 140°F (-5°C to 60°C); FKM (Ultra Low-Temp): -40°F to 200°F (-40°C to 90°C)
Design Standard	API RP 1004 8th EDITION 2003 - Bottom Loading and Vapor Recovery; AS5602-2009
Dismantling	Removal of one U-pin enables the shaft assembly and main poppet to be withdrawn
Mounting	<ul style="list-style-type: none"> • By industry standard 4" (100 mm) TTMA Flange • 8 holes Ø7/16" on 5.8" PCD, 6.6" outside diameter (Ø11 mm on 149 mm PCD, 168 mm OD) • Use spring washers when mounting coupler as per common industry practice
Adjustment or Service	Refer to Maintenance Instructions document
Weight	19 lbs. (8.6 kg.)

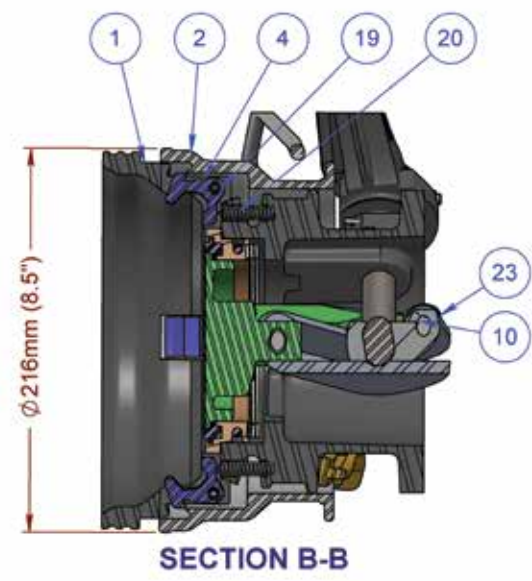
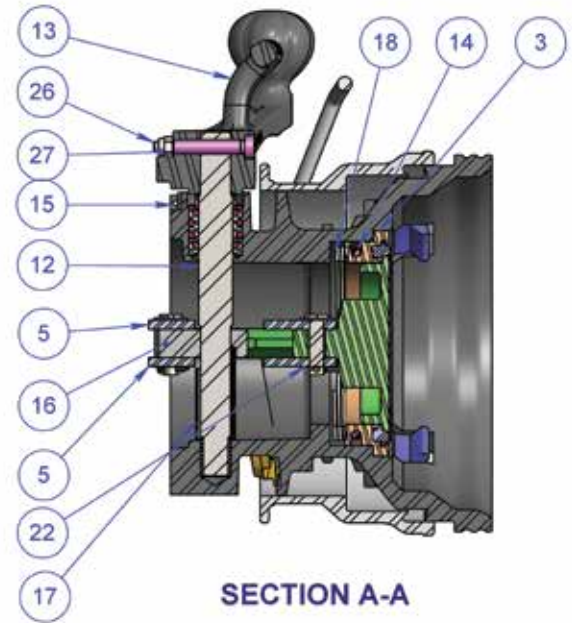
LYNX Series Bottom-Loading Coupler



VIEW FROM BACK



VIEW FROM OUTLET

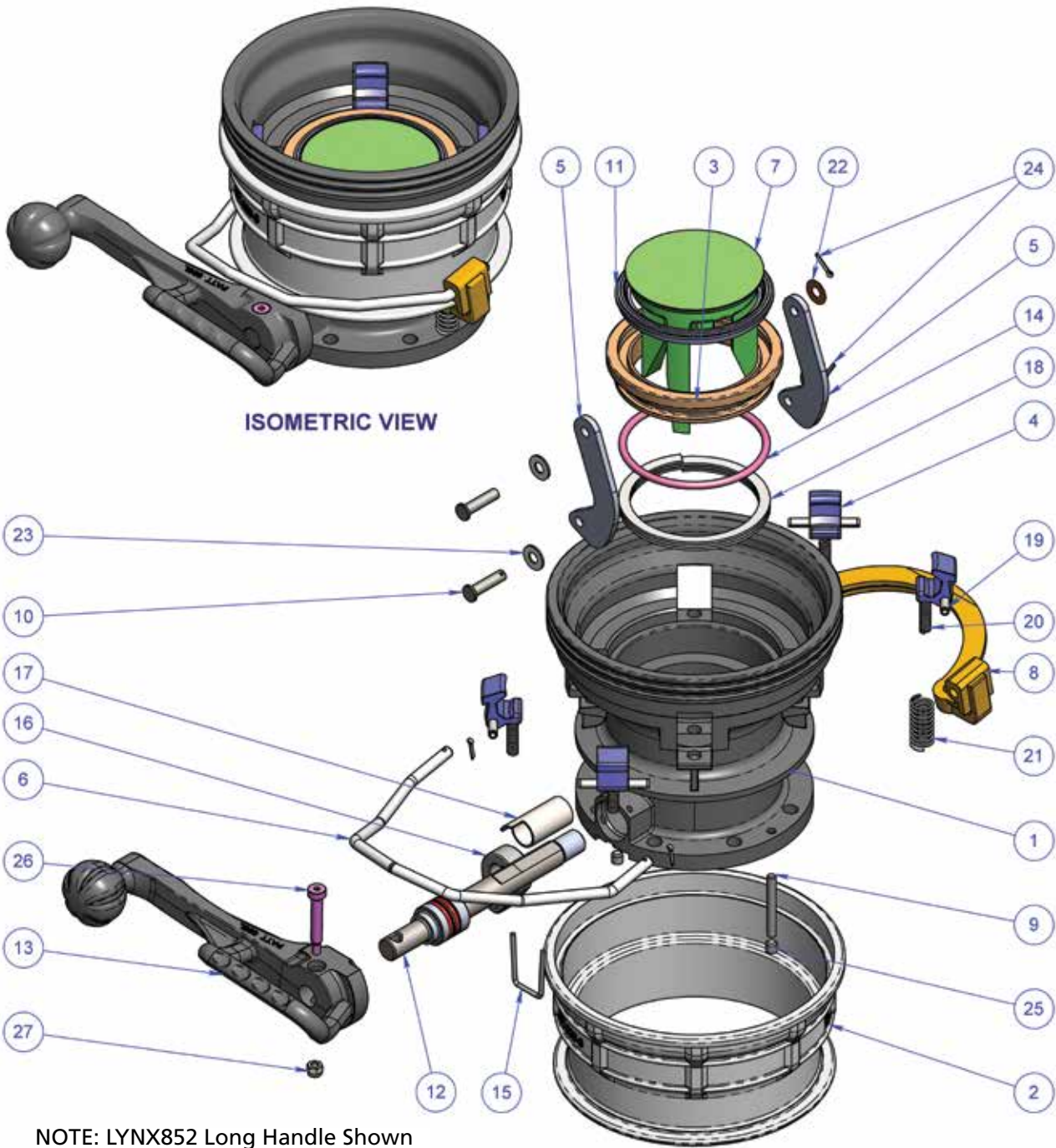


NOTE: LYNX852 Long Handle Shown

LYNX Series Bottom-Loading Coupler

Item No.	Part Number	Description	LYNX850	LYNX852	LYNX850VG	LYNX852VG	Material
1	API800-2	Body API800 Series Coupler	1	1	1	1	Aluminum
2	API800-3	Outer Body (Collar)	1	1	1	1	Stainless Steel
3	API800-4	Poppet Adaptor Ring	1	1	1	1	Aluminum
4	API725-4	Latch Collar Interlock	4	4	4	4	Stainless Steel
5	API800-6	Camplate for API Couplers	2	2	2	2	Steel Phosphated
6	API555-6	Handle - Outer Body	1	1	1	1	Stainless Steel
7	API800-9	Poppet 4"	1	1	1	1	Aluminum
8	API555-10	Lever Outer Body	1	1	1	1	Aluminum
9	API800-13	Pin - Spring Return	2	2	2	2	Stainless Steel
10	API800-12	Pin Clevis	2	2	2	2	Steel Phosphated
11	API800-1VG	Seal Product	-	-	1	1	Fluorocarbon
12	API50-5A	Shaft and Bush Assembly	1	1	-	-	Steel, Viton A & Acetal
	API850-5AVG	Shaft and Bush Assembly	-	-	1	1	Steel, Fluorocarbon & Acetal
13	API800-11	Long Handle	-	1	-	1	Aluminum
	API800-15	Short Handle	1	-	1	-	Aluminum
14	0203VG	O-ring	-	-	1	1	Fluorocarbon
15	API800-23	U-pin	1	1	1	1	Spring Steel
16	API800-27	Eccentric Cam with Sleeve Cutouts	1	1	1	1	Stainless Steel
17	API1800-28	Spacer Sleeve	1	1	1	1	Stainless Steel
18	6182	Spirawave Spring	1	1	1	1	Spring Steel
19	0927	Spring (Sellok) Pin	4	4	4	4	Z/P Steel
20	6171	Spring Compression	4	4	4	4	Stainless Steel
21	4497	Spring - Return	2	2	2	2	Spring Steel
22	5351	Washer Flat Thin	2	2	2	2	Stainless Steel
23	0101	Washer Flat	2	2	2	2	Z/P Steel
24	0762	Split Cotter Pin	4	4	4	4	Stainless Steel
25	3227	Grub Screw Met	2	2	2	2	Black Steel
26	55091	Cap Screw Shoulder Metric	1	1	1	1	Steel Phosphated
27	4399	Nut Nyloc	1	1	1	1	Z/P Steel

LYNX Series Bottom-Loading Coupler



NOTE: LYNX852 Long Handle Shown

ISOMETRIC EXPLODED VIEW

LYNX Series Bottom-Loading Coupler

The table below lists common spare parts for the LYNX850 Series.

Part Number	Spare Part Description	Contents	Quantity Required*
API850SKZ	LYNX850 All Seal Kit	1 x API800-1 Product Seal 1 x 0203 Outer O-ring 1 x 5805 Grease Kit 1 x API850-7A	1
API8KITZ	API800 Poppet Seal/O-ring Kit	1 x API800-1 Product Seal 1 x 0203 Outer O-ring 1 x 5805 Grease Kit	1
API850-7A	Bush and O-ring Assembly	1 x Bush and O-ring Assembly 1 x Nyloc Nut (4955) 1 x Shim Washer (API800-14)	1
API800-1	Product Seal	1 x Seal Product	1
0203	O-ring	1 x O-ring for Poppet Adaptor Ring	1
API850VGSKZ	API800 All Seal Kit (Fluorocarbon)	1 x API800-1VG Product Seal (Fluorocarbon) 1 x 0203VG Outer O-ring (Fluorocarbon) 1 x 5805 Grease Kit 1 x API850-7AVG	1
API8VGKITZ	API800 Poppet Seal/O-ring Kit (Fluorocarbon)	1 x API800-1VG Product Seal (Fluorocarbon) 1 x 0203VG Outer O-ring (Fluorocarbon) 1 x 5805 Grease Kit	1
API850-7AVG	Bush and O-ring Assembly (Fluorocarbon)	1 x Bush and O-ring Assembly (Fluorocarbon) 1 x Nyloc Nut (4955) 1 x Shim Washer (API800-14)	1
API800-1VG	Product Seal (Fluorocarbon)	1 x Seal Product (Fluorocarbon)	1
0203VG	O-ring (Fluorocarbon)	1 x O-ring for Poppet Adaptor Ring (Fluorocarbon)	1
API850-7ANBR	Bush and O-ring Assembly (Nitrile/Buna)	1 x Bush and O-ring Assembly (Nitrile/Buna) 1 x M6 Nyloc Nut (4955) 1 x Shim Washer (API800-14)	1
API800-1NBR	Product Seal (Nitrile/Buna)	1 x Seal Product (Nitrile/Buna)	1
0203B	O-ring (Nitrile/Buna)	1 x O-ring - Poppet Adaptor Ring (Nitrile/Buna)	1
ULT Spare Parts API850ULTSK	API 800 All Seal Kit (Ultra Low-Temp/FKM)	1 x API800-1-ULT 1 x 0203-ULT 2 x 0250-ULT 2 x 4574-ULT	1
API800-1F	Product Seal (Fluorosilicone)	1 x Seal Product (Fluorosilicone)	1
API850-7AC	Bush and O-ring Assembly (FFKM)	1 x Bush and O-ring Assembly (FFKM) 1 x M6 Nyloc Nut (4955) 1 x Shim Washer (API800-14)	1
API800-1K	Product Seal (FFKM)	1 x Seal Product (FFKM)	1
0203K	O-ring (FFKM)	1 x O-ring for Poppet Adaptor Ring (FFKM)	1
API800-23	U-pin	1 x U-pin Assembly	1
6182	Wave Spring	1 x Wave Spring	1
0762	Split Pin	1 x Split Pin	4
API725-4Z	Latch Collar Interlock Kit	4 x Latch Collar Interlock 4 x Latch Spring 4 x Latch Pin	4
0927	Spring Pin (Roll Pin) for Latches	1 x Spring Pin (Roll Pin) for Latches	4

*Quantity required for applicable models.

NOTES

NOTES



www.opw-es.com ◆ 2726 Henkle Drive ◆ Lebanon, Ohio 45036 ◆ Phone: (513) 932 9114 ◆ Fax: (513) 932 9845

NOTE: All information subject to engineering and/or other changes. All trade names are copyrighted. Patents Pending. ©2019 OPW Engineered Systems. ©2019 Delaware Capital Formation, Inc. All Rights Reserved. DOVER and the DOVER logo are registered trademarks of Delaware Capital Formation, Inc., a wholly-owned subsidiary of Dover Corporation.